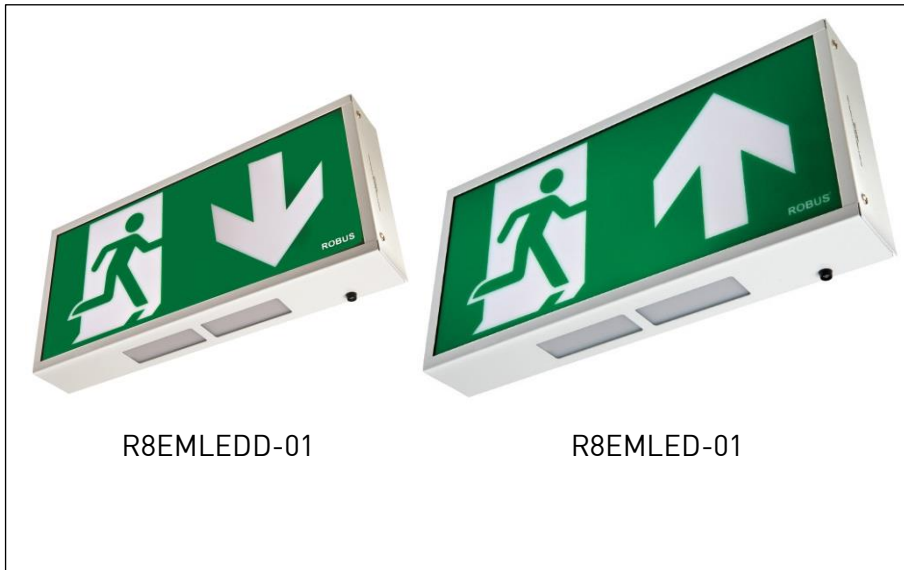


## EMERGENCY

# ROBUS®

### EXIT BOX 3W LED MAINTAINED, IP20, 390MM, White C/W DOWN OR UP LEGEND

This LED exit boxes will satisfy the legal requirement to provide adequate emergency signage in our buildings. For all building types these fittings can be surface mounted on walls or ceilings. They combine the latest SMD LED and electronic driver technology to provide functional, energy efficient fittings. The fitting can be wired in maintained or non-maintained mode and can be switched by photocell if required to save energy while natural light is available.



#### Applications:

- Offices
- Public buildings
- Hospitals
- Health Centres
- Schools
- Shops and stores
- Bars and restaurants
- Hotels

#### Construction:

Powder-coated pressed steel housing  
Polycarbonate legends  
Push-in terminal block

#### Features:

- Large clear running man down or up arrow legend with left and right legends available separately
- Two downward facing light windows
- Pressed steel white powder coated body
- Screwed legend retaining bar
- Utilises high-quality long-life surface mount LED technology:
  - Provides excellent light output
  - Uses less than 3 watts of power
  - Ensures an average LED life of 30,000 hours
- C/w NiCad rechargeable battery pack with green "charging" status LED
- 20mm gland entry points top & rear
- Rear BESA box mounting facility
- 3 Keyhole slot mounting points
- 2 year warranty

#### Benefits:

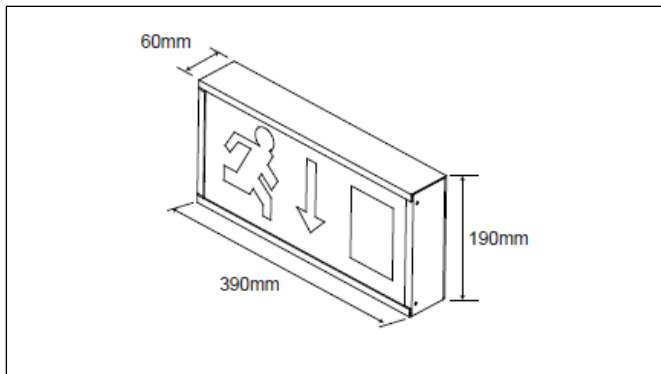
- Provides a viewing distance of up to 30m for safe exit and
- Options for emergency exit route direction indication
- Provides downward light to illuminate the area below the fitting for safe exit
- Aesthetically pleasing for installation in quality installations
- Quick and easy access to termination area for installation
- Left or right Running Man legend accessory can be quickly inserted
- Compared to T8 fluorescent:
  - Comparable light output so is a one for one replacement
  - Makes energy savings of over 60%
  - No maintenance cost for replacement tubes
- Provides 3 hour emergency operation
- Provides up to 4 years backup under normal use
- Indicates when mains power is charging the unit
- Suitable for most wiring installation types
- Mounting on a BESA box where surface conduit supply is used
- Allows fast and simple installation
- A quality energy efficient long-life product
- Peace of mind

# EMERGENCY

# ROBUS®

## EXIT BOX 3W LED MAINTAINED, IP20, 390MM, White C/W DOWN OR UP LEGEND

Product Code:	Arrow Down Arrow Up	R8EMLEDD-01 R8EMLED-01
Comparable to:	8W T8	
Total Power (W):	3.7	
Total Light Output (lm):	40	
Emergency Mode Light Output (lm):	40	
Rated Life (hrs):	30,000	
Warranty (yrs):	2	
Beam Angle (deg):	100	
CCT (K):	6,500	
CRI (Ra):	70	
Ingress Protection (IP):	20	
Operating Temperature (°C):	0 ≤ Ta ≤ +25	
Operating Voltage (Vac):	200-240	
Power Factor (PF):	0.5	
Height (mm):	190	
Width (mm):	390	
Depth (mm):	60	
Box Qty:	1	
Weight (kg):	1.4	



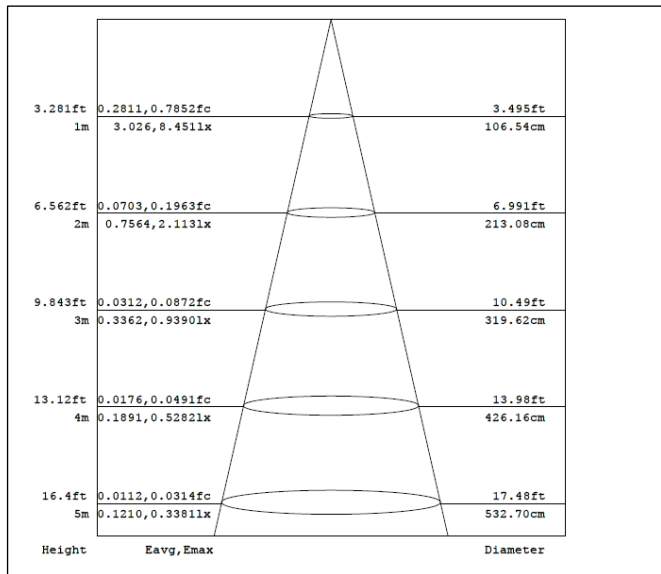
### Accessories:

- RCXR3** ARROW RIGHT LEGEND
- RCXL3** ARROW LEFT LEGEND
- RCXU2** ARROW UP LEGEND
- RCXD2** ARROW DOWN LEGEND

### Standards & Approvals:

Complies with: EN 55015, EN 61000-3-2, EN 61000-3-3, EN 61547, EN 60598-1, EN 60598-2-22, EN 62031, EN 62471, EN 62493

### Cone Illuminance Diagram:



### Polar Intensity Diagram:

